



LK2

| | | | |
|-----------|-----------------------------|-----|----------|
| 325020308 | RIO KONVEKTOR LK2-20-800MM | DKK | 2.726,25 |
| 325020315 | RIO KONVEKTOR LK2-20-1500MM | DKK | 3.588,75 |
| 325020320 | RIO KONVEKTOR LK2-20-2000MM | DKK | 4.457,00 |
| 325020325 | RIO KONVEKTOR LK2-20-2500MM | DKK | 5.323,25 |
| 325020330 | RIO KONVEKTOR LK2-20-3000MM | DKK | 6.189,50 |
| 325021310 | RIO KONVEKTOR LK2-21-1000MM | DKK | 2.811,25 |
| 325021312 | RIO KONVEKTOR LK2-21-1200MM | DKK | 3.209,25 |
| 325021315 | RIO KONVEKTOR LK2-21-1500MM | DKK | 3.864,00 |
| 325021320 | RIO KONVEKTOR LK2-21-2000MM | DKK | 4.820,00 |
| 325030310 | RIO KONVEKTOR LK2-30-1000MM | DKK | 2.484,75 |
| 325030312 | RIO KONVEKTOR LK2-30-1200MM | DKK | 2.829,50 |
| 325030315 | RIO KONVEKTOR LK2-30-1500MM | DKK | 3.351,50 |
| 325030320 | RIO KONVEKTOR LK2-30-2000MM | DKK | 4.220,25 |
| 325030325 | RIO KONVEKTOR LK2-30-2500MM | DKK | 5.089,00 |
| 325030330 | RIO KONVEKTOR LK2-30-3000MM | DKK | 9.068,75 |



LK3

| | | | |
|-----------|-----------------------------|-----|----------|
| 325050310 | RIO KONVEKTOR LK3-20-1000MM | DKK | 2.067,50 |
| 325050312 | RIO KONVEKTOR LK3-20-1200MM | DKK | 2.341,75 |
| 325050315 | RIO KONVEKTOR LK3-20-1500MM | DKK | 2.709,75 |
| 325050320 | RIO KONVEKTOR LK3-20-2000MM | DKK | 3.321,25 |
| 325050325 | RIO KONVEKTOR LK3-20-2500MM | DKK | 5.991,50 |
| 325050330 | RIO KONVEKTOR LK3-20-3000MM | DKK | 6.930,00 |
| 325051310 | RIO KONVEKTOR LK3-21-1000MM | DKK | 3.323,75 |
| 325051312 | RIO KONVEKTOR LK3-21-1200MM | DKK | 2.493,50 |
| 325051315 | RIO KONVEKTOR LK3-21-1500MM | DKK | 2.911,75 |
| 325051320 | RIO KONVEKTOR LK3-21-2000MM | DKK | 3.601,75 |
| 325060308 | RIO KONVEKTOR LK3-30 800MM | DKK | 3.361,25 |
| 325060310 | RIO KONVEKTOR LK3-30 1000MM | DKK | 3.165,75 |
| 325060312 | RIO KONVEKTOR LK3-30 1200MM | DKK | 3.837,50 |
| 325060315 | RIO KONVEKTOR LK3-30 1500MM | DKK | 4.116,50 |
| 325060316 | RIO KONVEKTOR LK3-30 1600MM | DKK | 3.687,50 |
| 325060320 | RIO KONVEKTOR LK3-30 2000MM | DKK | 5.060,50 |
| 325060325 | RIO KONVEKTOR LK3-30 2500MM | DKK | 6.780,00 |
| 325060330 | RIO KONVEKTOR LK3-30 3000MM | DKK | 6.957,00 |



K43

| | | | |
|-----------|--------------------------------|-----|----------|
| 325142060 | HEIZRAD KONVEKTOR K43 140X600 | DKK | 2.827,50 |
| 325142080 | HEIZRAD KONVEKTOR K43 140X800 | DKK | 2.900,00 |
| 325142100 | HEIZRAD KONVEKTOR K43 140X1000 | DKK | 3.431,25 |
| 325142120 | HEIZRAD KONVEKTOR K43 140X1200 | DKK | 3.748,75 |
| 325142140 | HEIZRAD KONVEKTOR K43 140X1400 | DKK | 4.106,25 |
| 325142150 | HEIZRAD KONVEKTOR K43 140X1500 | DKK | 4.281,25 |
| 325142160 | HEIZRAD KONVEKTOR K43 140X1600 | DKK | 4.456,25 |
| 325142180 | HEIZRAD KONVEKTOR K43 140X1800 | DKK | 4.806,25 |
| 325142200 | HEIZRAD KONVEKTOR K43 140X2000 | DKK | 5.143,75 |
| 325142240 | HEIZRAD KONVEKTOR K43 140X2400 | DKK | 5.811,25 |
| 325142300 | HEIZRAD KONVEKTOR K43 140X3000 | DKK | 6.843,75 |
| 325143060 | HEIZRAD KONVEKTOR K43 210X600 | DKK | 3.443,75 |
| 325143080 | HEIZRAD KONVEKTOR K43 210X800 | DKK | 3.748,75 |
| 325143100 | HEIZRAD KONVEKTOR K43 210X1000 | DKK | 4.193,75 |
| 325143120 | HEIZRAD KONVEKTOR K43 210X1200 | DKK | 7.711,50 |
| 325143140 | HEIZRAD KONVEKTOR K43 210X1400 | DKK | 5.056,25 |
| 325143150 | HEIZRAD KONVEKTOR K43 210X1500 | DKK | 5.281,25 |
| 325143160 | HEIZRAD KONVEKTOR K43 210X1600 | DKK | 5.493,75 |
| 325143180 | HEIZRAD KONVEKTOR K43 210X1800 | DKK | 5.918,75 |
| 325143200 | HEIZRAD KONVEKTOR K43 210X2000 | DKK | 6.356,25 |
| 325143240 | HEIZRAD KONVEKTOR K43 210X2400 | DKK | 7.206,25 |
| 325143300 | HEIZRAD KONVEKTOR K43 210X3000 | DKK | 8.500,00 |
| 345143100 | HEIZRAD KONVEKTOR K43 210X1000 | DKK | 2.882,75 |



K21

| | | | |
|-----------|--------------------------------|-----|----------|
| 325121100 | HEIZRAD KONVEKTOR K21 140X1000 | DKK | 1.645,00 |
| 325121120 | HEIZRAD KONVEKTOR K21 140X1200 | DKK | 1.797,50 |
| 325121150 | HEIZRAD KONVEKTOR K21 140X1500 | DKK | 2.027,50 |
| 325121200 | HEIZRAD KONVEKTOR K21 140X2000 | DKK | 2.407,50 |
| 325122080 | HEIZRAD KONVEKTOR K21 210X800 | DKK | 1.231,25 |
| 325122100 | HEIZRAD KONVEKTOR K21 210X1000 | DKK | 2.037,50 |
| 325122120 | HEIZRAD KONVEKTOR K21 210X1200 | DKK | 1.428,75 |
| 325122150 | HEIZRAD KONVEKTOR K21 210X1500 | DKK | 2.530,00 |
| 325122200 | HEIZRAD KONVEKTOR K21 210X2000 | DKK | 3.023,75 |
| 325122240 | HEIZRAD KONVEKTOR K21 210X2400 | DKK | 3.392,50 |
| 325122300 | HEIZRAD KONVEKTOR K21 210X3000 | DKK | 3.983,75 |



K32

| | | | |
|-----------|--------------------------------|-----|----------|
| 325132060 | HEIZRAD KONVEKTOR K32 140X600 | DKK | 2.070,00 |
| 325132080 | HEIZRAD KONVEKTOR K32 140X800 | DKK | 2.247,50 |
| 325132100 | HEIZRAD KONVEKTOR K32 140X1000 | DKK | 1.826,25 |
| 325132120 | HEIZRAD KONVEKTOR K32 140X1200 | DKK | 2.738,75 |
| 325132140 | HEIZRAD KONVEKTOR K32 140X1400 | DKK | 2.983,75 |
| 325132150 | HEIZRAD KONVEKTOR K32 140X1500 | DKK | 3.107,50 |
| 325132160 | HEIZRAD KONVEKTOR K32 140X1600 | DKK | 3.228,75 |
| 325132180 | HEIZRAD KONVEKTOR K32 140X1800 | DKK | 3.473,75 |
| 325132200 | HEIZRAD KONVEKTOR K32 140X2000 | DKK | 3.718,75 |
| 325132240 | HEIZRAD KONVEKTOR K32 140X2400 | DKK | 4.190,00 |
| 325132300 | HEIZRAD KONVEKTOR K32 140X3000 | DKK | 4.923,75 |
| 325133060 | HEIZRAD KONVEKTOR K32 210X600 | DKK | 2.538,75 |
| 325133080 | HEIZRAD KONVEKTOR K32 210X800 | DKK | 2.766,25 |
| 325133100 | HEIZRAD KONVEKTOR K32 210X1000 | DKK | 3.073,75 |
| 325133120 | HEIZRAD KONVEKTOR K32 210X1200 | DKK | 3.381,25 |
| 325133140 | HEIZRAD KONVEKTOR K32 210X1400 | DKK | 3.691,25 |
| 325133150 | HEIZRAD KONVEKTOR K32 210X1500 | DKK | 3.846,25 |
| 325133160 | HEIZRAD KONVEKTOR K32 210X1600 | DKK | 3.998,75 |
| 325133180 | HEIZRAD KONVEKTOR K32 210X1800 | DKK | 4.308,75 |
| 325133200 | HEIZRAD KONVEKTOR K32 210X2000 | DKK | 4.616,25 |
| 325133240 | HEIZRAD KONVEKTOR K32 210X2400 | DKK | 5.215,00 |
| 325133300 | HEIZRAD KONVEKTOR K32 210X3000 | DKK | 6.140,00 |



Retur

| | | | |
|-----------|--------------------------------|-----|--------|
| 403542000 | HONEYWELL RETUR FØLER | DKK | 165,00 |
| 403540003 | HONEYWELL RETURVENT. 3/8 LIGE | DKK | 68,00 |
| 403540004 | HONEYWELL RETURVENT. 1/2 LIGE | DKK | 78,00 |
| 403541003 | HONEYWELL RETURVENT.3/8 VINKEL | DKK | 68,00 |
| 403541004 | HONEYWELL RETURVENT.1/2 VINKEL | DKK | 78,00 |
| 403521000 | DANFOSS FØLERELEMENT FJVR | DKK | 242,00 |
| 403510003 | DANFOSS VENTILHUS LIGE FJVR3/8 | DKK | 164,75 |
| 403510004 | DANFOSS VENTILHUS LIGE FJVR1/2 | DKK | 164,75 |
| 403511003 | DANFOSS VENTIL VINKEL FJVR 3/8 | DKK | 164,75 |
| 403511004 | DANFOSS VENTIL VINKEL FJVR 1/2 | DKK | 164,75 |
| 403530004 | RETURVENTIL LIGE 1/2" | DKK | 360,00 |
| 403531004 | RETURVENTIL VINKEL 1/2" | DKK | 360,00 |



Føler

| | | | |
|-----------|--------------------------------|-----|----------|
| 403455000 | HONEYWELL FØLER THERA 4 M30 | DKK | 75,00 |
| 403222000 | DANFOSS FØLER RA 2990 | DKK | 135,00 |
| 403220000 | DANFOSS LIVING ECO FØLER T/ RA | DKK | 425,00 |
| 403220010 | DANFOSS LIVING ECO FØLER | DKK | 425,00 |
| 403220800 | DANFOSS LIVING ADAPTER | DKK | 69,00 |
| 403221010 | DANFOSS LIVING CONNECT FØLER | DKK | 360,00 |
| 403221800 | DANFOSS LINK CC PSU T/ 30 RUM | DKK | 3.095,00 |
| 403221810 | DANFOSS LINK CC NSU T/ 30 RUM | DKK | 3.095,00 |
| 403131210 | DANFOSS FAST FØLER RAVL Ø26MM | DKK | 245,00 |
| 403131212 | DANFOSS FJERN FØLER RAVL Ø26MM | DKK | 315,00 |
| 403131350 | DANFOSS FØLER M/PAKDÅSE RAVL | DKK | 375,00 |
| 403136310 | DANFOSS FAST FØLER RAV Ø34MM | DKK | 243,00 |
| 403136462 | DANFOSS M/ FJERNFØLER 2M Ø34 | DKK | 355,00 |
| 403224000 | DANFOSS FJERN FØLER RA 2612 | DKK | 251,00 |
| 403226100 | DANFOSS FØLER RAW 5110 | DKK | 135,25 |
| 403227090 | DANFOSS FØLER PROGRAMMER RAVL | DKK | 444,25 |
| 403228102 | DANFOSS FJERNINDS. ELEMENT 2M | DKK | 515,00 |
| 403228105 | DANFOSS FJERNINDS. ELEMENT 5M | DKK | 586,00 |
| 403228108 | DANFOSS FJERNINDS. ELEMENT 8M | DKK | 659,00 |
| 403229012 | REGULERINGSHD.TAG T/RA | DKK | 68,75 |



Ventiler

| | | | |
|-----------|--------------------------------|-----|--------|
| 403450004 | HONEYWELL VENTIL LIGE 1/2 | DKK | 55,00 |
| 403451003 | HONEYWELL VENTIL VINKEL 3/8 | DKK | 55,00 |
| 403451004 | HONEYWELL VENTIL VINKEL 1/2 | DKK | 55,00 |
| 403452003 | HONEYWELL VENTIL UK 3/8 | DKK | 75,00 |
| 403452004 | HONEYWELL VENTIL UK 1/2 | DKK | 75,00 |
| 403202003 | DANFOSS VENTIL LIGE RA-N 3/8 | DKK | 120,00 |
| 403202004 | DANFOSS VENTIL LIGE RA-N 1/2 | DKK | 120,00 |
| 403202006 | DANFOSS VENTIL LIGE RA-N 3/4 | DKK | 164,75 |
| 403203003 | DANFOSS VENTIL VINKEL RA-N 3/8 | DKK | 120,00 |
| 403203004 | DANFOSS VENTIL VINKEL RA-N 1/2 | DKK | 120,00 |
| 403203006 | DANFOSS VENTIL VINKEL RA-N 3/4 | DKK | 156,25 |
| 403205003 | DANFOSS VENTIL UK RA-N 3/8 | DKK | 164,75 |
| 403205004 | DANFOSS VENTIL UK RA-N 1/2 | DKK | 168,75 |
| 403112003 | DANFOSS VENTIL LL RA-UR 10 3/8 | DKK | 237,00 |
| 403112004 | DANFOSS VENTIL LL RA-UR 15 1/2 | DKK | 237,00 |
| 403113003 | DANFOSS VENTIL VL RA-UR 10 3/8 | DKK | 237,00 |
| 403113004 | DANFOSS VENTIL VL RA-UR 15 1/2 | DKK | 237,00 |
| 403114003 | DANFOSS VENTIL UK RA-UR 10 3/8 | DKK | 178,50 |
| 403159000 | DANFOSS PAKDÅSE T/ RAV,RAVL, | DKK | 61,00 |
| 403193004 | DANFOSS VENTIL VL RA-U 15 1/2 | DKK | 212,50 |
| 403207003 | DANFOSS VINKELVENTIL HØJRE 3/8 | DKK | 182,75 |
| 403207004 | DANFOSS VINKELVENTIL HØJRE 1/2 | DKK | 199,50 |



Ventiler fortsat...

| | | | |
|-----------|--------------------------------|-----|--------|
| 403209003 | DANFOSS VINKELVENT.VENSTRE 3/8 | DKK | 182,75 |
| 403209004 | DANFOSS VINKELVENT.VENSTRE 1/2 | DKK | 199,50 |
| 403216004 | DANFOSS VENTIL LIGE RA-G 1/2 | DKK | 265,00 |
| 403216006 | DANFOSS VENTIL LIGE RA-G 3/4 | DKK | 443,75 |
| 403216008 | DANFOSS VENTIL LIGE RA-G 1 | DKK | 375,00 |
| 403217104 | DANFOSS VENTIL VINKEL RA-G 1/2 | DKK | 235,00 |
| 403219000 | DANFOSS PAKDÅSE T/ RA2000 | DKK | 69,00 |



Danfoss klemringsfittings

| | | | |
|-----------|--------------------------------|-----|-------|
| 403119847 | DANFOSS OMLØBER T/PEX 15 X 1/2 | DKK | 43,75 |
| 403119945 | DANFOSS OMLØBER T/CU 15 X 1/2" | DKK | 30,00 |



Forskruning

| | | | |
|-----------|---------------------------------|-----|--------|
| 405001998 | RADIATORNØGLE M/SKRALDE 3/8-1 | DKK | 395,00 |
| 405001999 | RADIATORNØGLE "JULETRÆ" | DKK | 292,25 |
| 320095304 | RADIATOR EXCENTRIK 1/2X30MM | DKK | 72,00 |
| 320095504 | RADIATOR EXCENTRIK 1/2X50MM | DKK | 80,00 |
| 403469004 | RADIATORNIP.TELESKOPIK 1/2 | DKK | 35,00 |
| 405000003 | RADIATORFORSKRUNING LIGE 3/8 | DKK | 28,25 |
| 405000004 | RADIATORFORSKRUNING LIGE 1/2 | DKK | 25,50 |
| 405000006 | RADIATORFORSKRUNING LIGE 3/4 | DKK | 38,25 |
| 405000008 | RADIATORFORSKRUNING LIGE 1 | DKK | 62,25 |
| 405000010 | RADIATORFORSKRUNING LIGE 1 1/4 | DKK | 83,75 |
| 405001003 | RADIATORFORSKRUNING VINKEL 3/8 | DKK | 31,75 |
| 405001004 | RADIATORFORSKRUNING VINKEL 1/2 | DKK | 35,25 |
| 405001006 | RADIATORFORSKRUNING VINKEL 3/4 | DKK | 59,75 |
| 405001008 | RADIATORFORSKRUNING VINKEL 1 | DKK | 84,00 |
| 405001510 | RADIATORFORSKRUNING VINKEL1 1/4 | DKK | 123,25 |
| 405160104 | RADIATORFORSK. M/AFSP. 1/2 LL | DKK | 74,75 |
| 405161004 | RADIATORFORSK. M/AFSP 1/2 VL | DKK | 46,25 |



Luftskrue m.m.

| | | | |
|-----------|--------------------------------|-----|--------|
| 405565304 | TACO-VENT LUFTSKRUE 1/2 | DKK | 50,25 |
| 405524304 | LUFTSKRUE M/ O-RING 1/2 | DKK | 18,25 |
| 405494304 | RADIATOR PROP M/ O-RING 1/2 | DKK | 10,75 |
| 405642004 | AFTAPVENTIL M/ PAKNING 1/2 | DKK | 36,00 |
| 339490015 | OPFØRINGSSÆT TIL RADIATOR HVID | DKK | 202,25 |
| 405516300 | NØGLE TIL LUFTSKRUE | DKK | 15,50 |
| 405005026 | NIPPELMUFFE M/ O-RING 1/2X3/8 | DKK | 9,75 |
| 405501001 | LUFTSKRUE 1/8 | DKK | 15,50 |
| 405501002 | LUFTSKRUE 1/4 | DKK | 15,50 |
| 405501003 | LUFTSKRUE 3/8 | DKK | 18,00 |
| 405501004 | LUFTSKRUE 1/2 | DKK | 20,00 |



Bæringer

| | | | |
|-----------|--------------------------------|-----|--------|
| 324994230 | RIO VÆGBÆRING 2STK. 30MM | DKK | 85,00 |
| 324994240 | RIO VÆGBÆRING 2STK. 40MM | DKK | 82,50 |
| 324994450 | RIO GULV BEN 105-150MM M/ROSET | DKK | 486,25 |
| 324994500 | RIO GULV BEN 180-250MM M/ROSET | DKK | 486,25 |
| 324994650 | RIO PANELRADIATOR BEN LAV 1STK | DKK | 486,25 |
| 324994700 | RIO PANELRADIATOR BEN HØJ 1STK | DKK | 486,25 |
| 324995000 | UNIVERSAL RADIATORBÆRINGER | DKK | 92,50 |
| 324995130 | KLIK-BÆRINGER 300MM | DKK | 93,75 |
| 324995140 | KLIK-BÆRINGER 400MM | DKK | 93,75 |
| 324995150 | KLIK-BÆRINGER 500MM | DKK | 93,75 |
| 324995160 | KLIK-BÆRINGER 600MM | DKK | 93,75 |
| 324995190 | KLIK-BÆRINGER 900MM | DKK | 93,75 |
| 325094500 | RIO LK BEN SMAL INCL. ROSET | DKK | 359,00 |
| 325094600 | RIO LK BEN BRED INCL. ROSET | DKK | 359,00 |
| 325097200 | RIO VÆGBÆRING SMAL 125 MM | DKK | 193,75 |
| 325097400 | RIO VÆGBÆRING BRED 197 MM | DKK | 193,75 |
| 325134100 | HEIZRAD GULVBEN 1 STK. | DKK | 211,25 |
| 325134150 | HEIZRAD VÆGBÆRING 1 STK. | DKK | 122,50 |
| 325134200 | HEIZRAD ROSET T/ BÆRING 1 STK. | DKK | 36,25 |

Maling

| | | | |
|-----------|----------------------------|-----|--------|
| 324996000 | RIO LAKSTIFT RADIATOR 20ML | DKK | 101,25 |
|-----------|----------------------------|-----|--------|





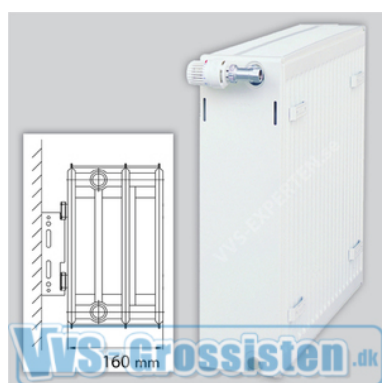
Højde 900 1-lag

| | | | |
|-----------|--------------------------------|-----|----------|
| 320091040 | HEIZRAD RADIATOR 11 900X400MM | DKK | 425,00 |
| 320091050 | HEIZRAD RADIATOR 11 900X500MM | DKK | 437,50 |
| 320091060 | HEIZRAD RADIATOR 11 900X600MM | DKK | 493,75 |
| 320091080 | HEIZRAD RADIATOR 11 900X800MM | DKK | 606,25 |
| 320091100 | HEIZRAD RADIATOR 11 900X1000MM | DKK | 637,50 |
| 320091120 | HEIZRAD RADIATOR 11 900X1200MM | DKK | 875,00 |
| 320091140 | HEIZRAD RADIATOR 11 900X1400MM | DKK | 1.037,50 |
| 320091150 | HEIZRAD RADIATOR 11 900X1500MM | DKK | 1.175,00 |
| 320091160 | HEIZRAD RADIATOR 11 900X1600MM | DKK | 1.468,75 |
| 320091200 | HEIZRAD RADIATOR 11 900X2000MM | DKK | 1.800,00 |



Højde 900 2-lag

| | | | |
|-----------|--------------------------------|-----|----------|
| 320092040 | HEIZRAD RADIATOR 22 900X400MM | DKK | 743,75 |
| 320092050 | HEIZRAD RADIATOR 22 900X500MM | DKK | 829,25 |
| 320092060 | HEIZRAD RADIATOR 22 900X600MM | DKK | 912,50 |
| 320092070 | HEIZRAD RADIATOR 22 900X700MM | DKK | 1.037,50 |
| 320092080 | HEIZRAD RADIATOR 22 900X800MM | DKK | 1.187,50 |
| 320092090 | HEIZRAD RADIATOR 22 900X900MM | DKK | 1.281,25 |
| 320092100 | HEIZRAD RADIATOR 22 900X1000MM | DKK | 1.268,50 |
| 320092110 | HEIZRAD RADIATOR 22 900X1100MM | DKK | 1.612,50 |
| 320092120 | HEIZRAD RADIATOR 22 900X1200MM | DKK | 1.706,25 |
| 320092140 | HEIZRAD RADIATOR 22 900X1400MM | DKK | 1.962,50 |
| 320092150 | HEIZRAD RADIATOR 22 900X1500MM | DKK | 2.250,00 |
| 320092160 | HEIZRAD RADIATOR 22 900X1600MM | DKK | 2.437,50 |
| 320092180 | HEIZRAD RADIATOR 22 900X1800MM | DKK | 2.737,50 |
| 320092200 | HEIZRAD RADIATOR 22 900X2000MM | DKK | 2.881,25 |
| 320092250 | HEIZRAD RADIATOR 22 900X2500MM | DKK | 3.525,00 |



Højde 900 3-lag

| | | | |
|-----------|--------------------------------|-----|----------|
| 320093040 | HEIZRAD RADIATOR 33 900X400MM | DKK | 875,00 |
| 320093050 | HEIZRAD RADIATOR 33 900X500MM | DKK | 1.043,75 |
| 320093060 | HEIZRAD RADIATOR 33 900X600MM | DKK | 1.281,25 |
| 320093070 | HEIZRAD RADIATOR 33 900X700MM | DKK | 1.550,00 |
| 320093080 | HEIZRAD RADIATOR 33 900X800MM | DKK | 1.593,75 |
| 320093090 | HEIZRAD RADIATOR 33 900X900MM | DKK | 1.718,75 |
| 320093100 | HEIZRAD RADIATOR 33 900X1000MM | DKK | 2.000,00 |
| 320093120 | HEIZRAD RADIATOR 33 900X1200MM | DKK | 2.437,50 |
| 320093150 | HEIZRAD RADIATOR 33 900X1500MM | DKK | 3.000,00 |
| 320093180 | HEIZRAD RADIATOR 33 900X1800MM | DKK | 3.837,50 |
| 320093200 | HEIZRAD RADIATOR 33 900X2000MM | DKK | 4.118,75 |



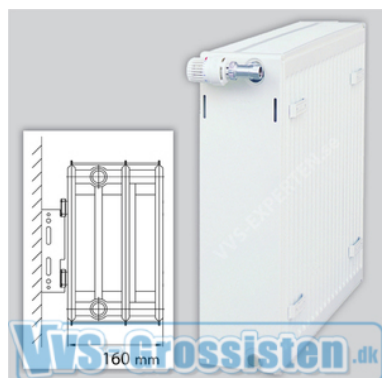
Højde 600 1-lag

| | | | |
|-----------|--------------------------------|-----|----------|
| 320061040 | HEIZRAD RADIATOR 11 600X400MM | DKK | 293,75 |
| 320061050 | HEIZRAD RADIATOR 11 600X500MM | DKK | 287,50 |
| 320061060 | HEIZRAD RADIATOR 11 600X600MM | DKK | 325,00 |
| 320061070 | HEIZRAD RADIATOR 11 600X700MM | DKK | 381,25 |
| 320061080 | HEIZRAD RADIATOR 11 600X800MM | DKK | 381,25 |
| 320061090 | HEIZRAD RADIATOR 11 600X900MM | DKK | 437,50 |
| 320061100 | HEIZRAD RADIATOR 11 600X1000MM | DKK | 412,50 |
| 320061110 | HEIZRAD RADIATOR 11 600X1100MM | DKK | 512,50 |
| 320061120 | HEIZRAD RADIATOR 11 600X1200MM | DKK | 462,50 |
| 320061140 | HEIZRAD RADIATOR 11 600X1400MM | DKK | 737,50 |
| 320061150 | HEIZRAD RADIATOR 11 600X1500MM | DKK | 812,50 |
| 320061160 | HEIZRAD RADIATOR 11 600X1600MM | DKK | 918,75 |
| 320061180 | HEIZRAD RADIATOR 11 600X1800MM | DKK | 993,75 |
| 320061200 | HEIZRAD RADIATOR 11 600X2000MM | DKK | 1.100,00 |
| 320061250 | HEIZRAD RADIATOR 11 600X2500MM | DKK | 1.393,75 |
| 320061300 | HEIZRAD RADIATOR 11 600X3000MM | DKK | 1.787,50 |



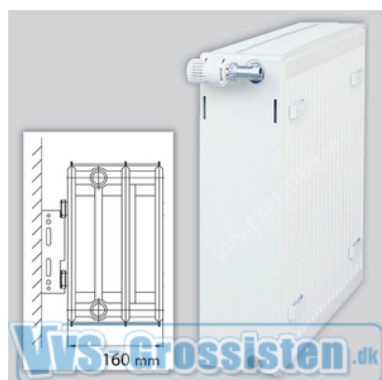
Højde 600 2-lag

| | | | |
|-----------|--------------------------------|-----|----------|
| 320062040 | HEIZRAD RADIATOR 22 600X400MM | DKK | 531,25 |
| 320062050 | HEIZRAD RADIATOR 22 600X500MM | DKK | 562,50 |
| 320062060 | HEIZRAD RADIATOR 22 600X600MM | DKK | 623,00 |
| 320062070 | HEIZRAD RADIATOR 22 600X700MM | DKK | 688,00 |
| 320062080 | HEIZRAD RADIATOR 22 600X800MM | DKK | 729,00 |
| 320062090 | HEIZRAD RADIATOR 22 600X900MM | DKK | 775,00 |
| 320062100 | HEIZRAD RADIATOR 22 600X1000MM | DKK | 819,00 |
| 320062110 | HEIZRAD RADIATOR 22 600X1100MM | DKK | 879,00 |
| 320062120 | HEIZRAD RADIATOR 22 600X1200MM | DKK | 969,00 |
| 320062140 | HEIZRAD RADIATOR 22 600X1400MM | DKK | 1.393,75 |
| 320062150 | HEIZRAD RADIATOR 22 600X1500MM | DKK | 1.475,00 |
| 320062160 | HEIZRAD RADIATOR 22 600X1600MM | DKK | 1.593,75 |
| 320062180 | HEIZRAD RADIATOR 22 600X1800MM | DKK | 1.743,75 |
| 320062200 | HEIZRAD RADIATOR 22 600X2000MM | DKK | 1.975,00 |
| 320062220 | HEIZRAD RADIATOR 22 600X2200MM | DKK | 2.325,00 |
| 320062250 | HEIZRAD RADIATOR 22 600X2500MM | DKK | 2.437,50 |
| 320062260 | HEIZRAD RADIATOR 22 600X2600MM | DKK | 2.525,00 |
| 320062300 | HEIZRAD RADIATOR 22 600X3000MM | DKK | 2.887,50 |



Højde 600 3-lag

| | | | |
|-----------|--------------------------------|-----|----------|
| 320063040 | HEIZRAD RADIATOR 33 600X400MM | DKK | 1.152,50 |
| 320063050 | HEIZRAD RADIATOR 33 600X500MM | DKK | 1.152,50 |
| 320063060 | HEIZRAD RADIATOR 33 600X600MM | DKK | 1.151,25 |
| 320063080 | HEIZRAD RADIATOR 33 600X800MM | DKK | 1.187,50 |
| 320063100 | HEIZRAD RADIATOR 33 600X1000MM | DKK | 1.512,50 |
| 320063110 | HEIZRAD RADIATOR 33 600X1100MM | DKK | 1.727,50 |
| 320063120 | HEIZRAD RADIATOR 33 600X1200MM | DKK | 1.743,75 |
| 320063140 | HEIZRAD RADIATOR 33 600X1400MM | DKK | 2.131,25 |
| 320063150 | HEIZRAD RADIATOR 33 600X1500MM | DKK | 2.168,75 |
| 320063160 | HEIZRAD RADIATOR 33 600X1600MM | DKK | 2.496,25 |
| 320063180 | HEIZRAD RADIATOR 33 600X1800MM | DKK | 2.518,75 |
| 320063200 | HEIZRAD RADIATOR 33 600X2000MM | DKK | 2.831,25 |
| 320063220 | HEIZRAD RADIATOR 33 600X2200MM | DKK | 2.737,50 |
| 320063250 | HEIZRAD RADIATOR 33 600X2500MM | DKK | 3.931,25 |
| 320063260 | HEIZRAD RADIATOR 33 600X2600MM | DKK | 4.120,00 |
| 320063300 | HEIZRAD RADIATOR 33 600X3000MM | DKK | 4.287,50 |



Højde 500 3-lag

| | | | |
|-----------|--------------------------------|-----|----------|
| 320053040 | HEIZRAD RADIATOR 33 500X400MM | DKK | 1.023,75 |
| 320053050 | HEIZRAD RADIATOR 33 500X500MM | DKK | 1.023,75 |
| 320053060 | HEIZRAD RADIATOR 33 500X600MM | DKK | 1.023,75 |
| 320053080 | HEIZRAD RADIATOR 33 500X800MM | DKK | 1.093,75 |
| 320053090 | HEIZRAD RADIATOR 33 500X900MM | DKK | 1.266,25 |
| 320053100 | HEIZRAD RADIATOR 33 500X1000MM | DKK | 1.312,50 |
| 320053120 | HEIZRAD RADIATOR 33 500X1200MM | DKK | 1.587,50 |
| 320053140 | HEIZRAD RADIATOR 33 500X1400MM | DKK | 1.815,00 |
| 320053150 | HEIZRAD RADIATOR 33 500X1500MM | DKK | 1.962,50 |
| 320053180 | HEIZRAD RADIATOR 33 500X1800MM | DKK | 2.406,25 |
| 320053200 | HEIZRAD RADIATOR 33 500X2000MM | DKK | 2.781,25 |
| 320053250 | HEIZRAD RADIATOR 33 500X2500MM | DKK | 3.662,50 |
| 320053300 | HEIZRAD RADIATOR 33 500X3000MM | DKK | 4.081,25 |



Højde 500 2-lag

| | | | |
|-----------|--------------------------------|-----|----------|
| 320052040 | HEIZRAD RADIATOR 22 500X400MM | DKK | 450,00 |
| 320052050 | HEIZRAD RADIATOR 22 500X500MM | DKK | 462,50 |
| 320052060 | HEIZRAD RADIATOR 22 500X600MM | DKK | 498,75 |
| 320052070 | HEIZRAD RADIATOR 22 500X700MM | DKK | 612,50 |
| 320052080 | HEIZRAD RADIATOR 22 500X800MM | DKK | 689,00 |
| 320052090 | HEIZRAD RADIATOR 22 500X900MM | DKK | 765,00 |
| 320052100 | HEIZRAD RADIATOR 22 500X1000MM | DKK | 730,00 |
| 320052110 | HEIZRAD RADIATOR 22 500X1100MM | DKK | 912,50 |
| 320052120 | HEIZRAD RADIATOR 22 500X1200MM | DKK | 956,25 |
| 320052140 | HEIZRAD RADIATOR 22 500X1400MM | DKK | 1.355,00 |



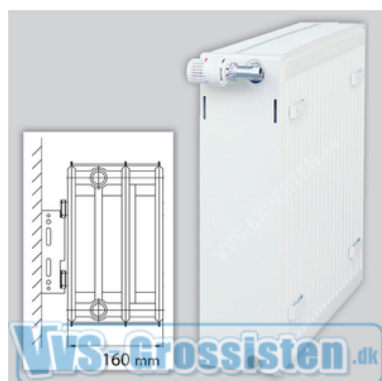
Højde 500 2-lag fortsat...

| | | | |
|-----------|--------------------------------|-----|----------|
| 320052150 | HEIZRAD RADIATOR 22 500X1500MM | DKK | 1.350,00 |
| 320052160 | HEIZRAD RADIATOR 22 500X1600MM | DKK | 1.406,25 |
| 320052180 | HEIZRAD RADIATOR 22 500X1800MM | DKK | 1.543,75 |
| 320052200 | HEIZRAD RADIATOR 22 500X2000MM | DKK | 1.812,50 |
| 320052220 | HEIZRAD RADIATOR 22 500X2200MM | DKK | 2.008,75 |
| 320052250 | HEIZRAD RADIATOR 22 500X2500MM | DKK | 2.168,75 |
| 320052260 | HEIZRAD RADIATOR 22 500X2600MM | DKK | 2.218,75 |
| 320052300 | HEIZRAD RADIATOR 22 500X3000MM | DKK | 2.381,25 |



Højde 500 1-lag

| | | | |
|-----------|--------------------------------|-----|----------|
| 320051040 | HEIZRAD RADIATOR 11 500X400MM | DKK | 287,50 |
| 320051050 | HEIZRAD RADIATOR 11 500X500MM | DKK | 300,00 |
| 320051060 | HEIZRAD RADIATOR 11 500X600MM | DKK | 325,00 |
| 320051070 | HEIZRAD RADIATOR 11 500X700MM | DKK | 356,25 |
| 320051080 | HEIZRAD RADIATOR 11 500X800MM | DKK | 393,75 |
| 320051090 | HEIZRAD RADIATOR 11 500X900MM | DKK | 406,25 |
| 320051100 | HEIZRAD RADIATOR 11 500X1000MM | DKK | 481,25 |
| 320051110 | HEIZRAD RADIATOR 11 500X1100MM | DKK | 626,25 |
| 320051120 | HEIZRAD RADIATOR 11 500X1200MM | DKK | 500,00 |
| 320051140 | HEIZRAD RADIATOR 11 500X1400MM | DKK | 662,50 |
| 320051150 | HEIZRAD RADIATOR 11 500X1500MM | DKK | 693,75 |
| 320051160 | HEIZRAD RADIATOR 11 500X1600MM | DKK | 843,75 |
| 320051180 | HEIZRAD RADIATOR 11 500X1800MM | DKK | 881,25 |
| 320051200 | HEIZRAD RADIATOR 11 500X2000MM | DKK | 998,75 |
| 320051250 | HEIZRAD RADIATOR 11 500X2500MM | DKK | 1.275,00 |
| 320051300 | HEIZRAD RADIATOR 11 500X3000MM | DKK | 1.687,50 |



Højde 400 3-lag

| | | | |
|-----------|--------------------------------|-----|----------|
| 320043050 | HEIZRAD RADIATOR 33 400X500MM | DKK | 761,25 |
| 320043060 | HEIZRAD RADIATOR 33 400X600MM | DKK | 743,75 |
| 320043080 | HEIZRAD RADIATOR 33 400X800MM | DKK | 956,25 |
| 320043100 | HEIZRAD RADIATOR 33 400X1000MM | DKK | 1.131,25 |
| 320043120 | HEIZRAD RADIATOR 33 400X1200MM | DKK | 1.362,50 |
| 320043140 | HEIZRAD RADIATOR 33 400X1400MM | DKK | 1.637,50 |
| 320043150 | HEIZRAD RADIATOR 33 400X1500MM | DKK | 1.687,50 |
| 320043160 | HEIZRAD RADIATOR 33 400X1600MM | DKK | 1.961,25 |
| 320043180 | HEIZRAD RADIATOR 33 400X1800MM | DKK | 2.006,25 |
| 320043200 | HEIZRAD RADIATOR 33 400X2000MM | DKK | 2.493,75 |
| 320043220 | HEIZRAD RADIATOR 33 400X2200MM | DKK | 2.656,25 |
| 320043250 | HEIZRAD RADIATOR 33 400X2500MM | DKK | 2.881,25 |
| 320043300 | HEIZRAD RADIATOR 33 400X3000MM | DKK | 3.631,25 |



Højde 400 2-lag

| | | | |
|-----------|--------------------------------|-----|----------|
| 320042040 | HEIZRAD RADIATOR 22 400X400MM | DKK | 418,75 |
| 320042050 | HEIZRAD RADIATOR 22 400X500MM | DKK | 456,25 |
| 320042060 | HEIZRAD RADIATOR 22 400X600MM | DKK | 531,25 |
| 320042070 | HEIZRAD RADIATOR 22 400X700MM | DKK | 581,25 |
| 320042080 | HEIZRAD RADIATOR 22 400X800MM | DKK | 625,00 |
| 320042090 | HEIZRAD RADIATOR 22 400X900MM | DKK | 706,25 |
| 320042100 | HEIZRAD RADIATOR 22 400X1000MM | DKK | 762,50 |
| 320042110 | HEIZRAD RADIATOR 22 400X1100MM | DKK | 918,75 |
| 320042120 | HEIZRAD RADIATOR 22 400X1200MM | DKK | 931,25 |
| 320042140 | HEIZRAD RADIATOR 22 400X1400MM | DKK | 1.125,00 |
| 320042150 | HEIZRAD RADIATOR 22 400X1500MM | DKK | 1.156,25 |
| 320042160 | HEIZRAD RADIATOR 22 400X1600MM | DKK | 1.275,00 |
| 320042180 | HEIZRAD RADIATOR 22 400X1800MM | DKK | 1.381,25 |
| 320042200 | HEIZRAD RADIATOR 22 400X2000MM | DKK | 1.506,25 |
| 320042250 | HEIZRAD RADIATOR 22 400X2500MM | DKK | 1.825,00 |
| 320042300 | HEIZRAD RADIATOR 22 400X3000MM | DKK | 2.406,25 |



Højde 400 1-lag

| | | | |
|-----------|--------------------------------|-----|----------|
| 320041040 | HEIZRAD RADIATOR 11 400X400MM | DKK | 275,00 |
| 320041050 | HEIZRAD RADIATOR 11 400X500MM | DKK | 262,50 |
| 320041060 | HEIZRAD RADIATOR 11 400X600MM | DKK | 293,75 |
| 320041080 | HEIZRAD RADIATOR 11 400X800MM | DKK | 368,75 |
| 320041090 | HEIZRAD RADIATOR 11 400X900MM | DKK | 635,00 |
| 320041100 | HEIZRAD RADIATOR 11 400X1000MM | DKK | 431,25 |
| 320041110 | HEIZRAD RADIATOR 11 400X1100MM | DKK | 581,25 |
| 320041120 | HEIZRAD RADIATOR 11 400X1200MM | DKK | 518,75 |
| 320041140 | HEIZRAD RADIATOR 11 400X1400MM | DKK | 723,75 |
| 320041150 | HEIZRAD RADIATOR 11 400X1500MM | DKK | 643,75 |
| 320041160 | HEIZRAD RADIATOR 11 400X1600MM | DKK | 712,50 |
| 320041180 | HEIZRAD RADIATOR 11 400X1800MM | DKK | 781,25 |
| 320041200 | HEIZRAD RADIATOR 11 400X2000MM | DKK | 906,25 |
| 320041220 | HEIZRAD RADIATOR 11 400X2200MM | DKK | 1.043,75 |
| 320041250 | HEIZRAD RADIATOR 11 400X2500MM | DKK | 1.106,25 |
| 320041300 | HEIZRAD RADIATOR 11 400X3000MM | DKK | 1.343,75 |



Højde 300 2-lag

| | | | |
|-----------|--------------------------------|-----|----------|
| 320032040 | HEIZRAD RADIATOR 22 300X400MM | DKK | 393,75 |
| 320032050 | HEIZRAD RADIATOR 22 300X500MM | DKK | 431,25 |
| 320032060 | HEIZRAD RADIATOR 22 300X600MM | DKK | 506,25 |
| 320032080 | HEIZRAD RADIATOR 22 300X800MM | DKK | 593,75 |
| 320032090 | HEIZRAD RADIATOR 22 300X900MM | DKK | 662,50 |
| 320032100 | HEIZRAD RADIATOR 22 300X1000MM | DKK | 681,25 |
| 320032120 | HEIZRAD RADIATOR 22 300X1200MM | DKK | 906,25 |
| 320032140 | HEIZRAD RADIATOR 22 300X1400MM | DKK | 1.100,00 |
| 320032150 | HEIZRAD RADIATOR 22 300X1500MM | DKK | 1.137,50 |
| 320032160 | HEIZRAD RADIATOR 22 300X1600MM | DKK | 1.250,00 |
| 320032180 | HEIZRAD RADIATOR 22 300X1800MM | DKK | 1.356,25 |
| 320032200 | HEIZRAD RADIATOR 22 300X2000MM | DKK | 1.481,25 |
| 320032220 | HEIZRAD RADIATOR 22 300X2200MM | DKK | 1.625,00 |
| 320032250 | HEIZRAD RADIATOR 22 300X2500MM | DKK | 1.837,50 |
| 320032300 | HEIZRAD RADIATOR 22 300X3000MM | DKK | 2.375,00 |



Højde 300 3-lag

| | | | |
|-----------|--------------------------------|-----|----------|
| 320033050 | HEIZRAD RADIATOR 33 300X500MM | DKK | 643,75 |
| 320033060 | HEIZRAD RADIATOR 33 300X600MM | DKK | 718,75 |
| 320033080 | HEIZRAD RADIATOR 33 300X800MM | DKK | 931,25 |
| 320033100 | HEIZRAD RADIATOR 33 300X1000MM | DKK | 1.106,25 |
| 320033120 | HEIZRAD RADIATOR 33 300X1200MM | DKK | 1.343,75 |
| 320033140 | HEIZRAD RADIATOR 33 300X1400MM | DKK | 1.393,75 |
| 320033150 | HEIZRAD RADIATOR 33 300X1500MM | DKK | 1.668,75 |
| 320033160 | HEIZRAD RADIATOR 33 300X1600MM | DKK | 1.731,25 |
| 320033180 | HEIZRAD RADIATOR 33 300X1800MM | DKK | 1.975,00 |
| 320033200 | HEIZRAD RADIATOR 33 300X2000MM | DKK | 2.468,75 |
| 320033220 | HEIZRAD RADIATOR 33 300X2200MM | DKK | 2.631,25 |
| 320033250 | HEIZRAD RADIATOR 33 300X2500MM | DKK | 3.175,00 |
| 320033300 | HEIZRAD RADIATOR 33 300X3000MM | DKK | 3.606,25 |



Højde 300 1-lag

| | | | |
|-----------|--------------------------------|-----|--------|
| 320031040 | HEIZRAD RADIATOR 11 300X400MM | DKK | 287,50 |
| 320031050 | HEIZRAD RADIATOR 11 300X500MM | DKK | 300,00 |
| 320031060 | HEIZRAD RADIATOR 11 300X600MM | DKK | 312,50 |
| 320031080 | HEIZRAD RADIATOR 11 300X800MM | DKK | 387,50 |
| 320031090 | HEIZRAD RADIATOR 11 300X900MM | DKK | 349,35 |
| 320031100 | HEIZRAD RADIATOR 11 300X1000MM | DKK | 468,75 |
| 320031110 | HEIZRAD RADIATOR 11 300X1100MM | DKK | 490,00 |
| 320031120 | HEIZRAD RADIATOR 11 300X1200MM | DKK | 525,00 |
| 320031140 | HEIZRAD RADIATOR 11 300X1400MM | DKK | 608,75 |
| 320031150 | HEIZRAD RADIATOR 11 300X1500MM | DKK | 693,75 |
| 320031160 | HEIZRAD RADIATOR 11 300X1600MM | DKK | 775,00 |



Højde 300 1-lag fortsat...

| | | | |
|-----------|--------------------------------|-----|----------|
| 320031180 | HEIZRAD RADIATOR 11 300X1800MM | DKK | 856,25 |
| 320031200 | HEIZRAD RADIATOR 11 300X2000MM | DKK | 943,75 |
| 320031220 | HEIZRAD RADIATOR 11 300X2200MM | DKK | 1.093,75 |
| 320031250 | HEIZRAD RADIATOR 11 300X2500MM | DKK | 1.337,50 |
| 320031300 | HEIZRAD RADIATOR 11 300X3000MM | DKK | 1.518,75 |



To-lags

| | | | |
|-----------|--------------------------------|-----|----------|
| 324632324 | RIO RADIATOR 355-2PK/22 800MM | DKK | 882,25 |
| 324632330 | RIO RADIATOR 355-2PK/22 1000MM | DKK | 1.098,75 |
| 324632336 | RIO RADIATOR 355-2PK/22 1200MM | DKK | 1.317,50 |
| 324632345 | RIO RADIATOR 355-2PK/22 1500MM | DKK | 1.645,00 |
| 324632354 | RIO RADIATOR 355-2PK/22 1800MM | DKK | 1.991,25 |
| 324632360 | RIO RADIATOR 355-2PK/22 2000MM | DKK | 2.210,00 |
| 324632375 | RIO RADIATOR 355-2PK/22 2500MM | DKK | 2.828,75 |
| 324632390 | RIO RADIATOR 355-2PK/22 3000MM | DKK | 4.936,25 |



Et-lags

| | | | |
|-----------|--------------------------------|-----|--------|
| 324641315 | RIO RADIATOR 455-1PK/11 500MM | DKK | 487,50 |
| 324641318 | RIO RADIATOR 455-1PK/11 600MM | DKK | 500,00 |
| 324641324 | RIO RADIATOR 455-1PK/11 800MM | DKK | 787,50 |
| 324641330 | RIO RADIATOR 455-1PK/11 1000MM | DKK | 693,75 |
| 324641336 | RIO RADIATOR 455-1PK/11 1200MM | DKK | 803,75 |



To-Lags

| | | | |
|-----------|--------------------------------|-----|----------|
| 324642315 | RIO RADIATOR 455-2PK/22 500MM | DKK | 1.300,00 |
| 324642318 | RIO RADIATOR 455-2PK/22 600MM | DKK | 832,50 |
| 324642324 | RIO RADIATOR 455-2PK/22 800MM | DKK | 985,00 |
| 324642327 | RIO RADIATOR 455-2PK/22 900MM | DKK | 2.035,00 |
| 324642330 | RIO RADIATOR 455-2PK/22 1000MM | DKK | 1.218,75 |
| 324642336 | RIO RADIATOR 455-2PK/22 1200MM | DKK | 1.460,00 |
| 324642342 | RIO RADIATOR 455-2PK/22 1400MM | DKK | 3.218,75 |
| 324642345 | RIO RADIATOR 455-2PK/22 1500MM | DKK | 1.883,75 |
| 324642354 | RIO RADIATOR 455-2PK/22 1800MM | DKK | 2.217,50 |
| 324642360 | RIO RADIATOR 455-2PK/22 2000MM | DKK | 2.400,00 |
| 324642375 | RIO RADIATOR 455-2PK/22 2500MM | DKK | 2.936,25 |



To-Lags fortsat...

| | | | |
|-----------|--------------------------------|-----|----------|
| 324642390 | RIO RADIATOR 455-2PK/22 3000MM | DKK | 5.236,25 |
|-----------|--------------------------------|-----|----------|



Et-lags

| | | | |
|-----------|--------------------------------|-----|--------|
| 324651312 | RIO RADIATOR 555-1PK/11 400MM | DKK | 453,75 |
| 324651315 | RIO RADIATOR 555-1PK/11 500MM | DKK | 453,75 |
| 324651318 | RIO RADIATOR 555-1PK/11 600MM | DKK | 517,50 |
| 324651324 | RIO RADIATOR 555-1PK/11 800MM | DKK | 637,50 |
| 324651330 | RIO RADIATOR 555-1PK/11 1000MM | DKK | 762,50 |
| 324651336 | RIO RADIATOR 555-1PK/11 1200MM | DKK | 888,75 |



To-Lags

| | | | |
|-----------|--------------------------------|-----|----------|
| 324652312 | RIO RADIATOR 555-2PK/22 400MM | DKK | 772,50 |
| 324652315 | RIO RADIATOR 555-2PK/22 500MM | DKK | 772,50 |
| 324652318 | RIO RADIATOR 555-2PK/22 600MM | DKK | 895,00 |
| 324652321 | RIO RADIATOR 555-2PK/22 700MM | DKK | 1.051,25 |
| 324652324 | RIO RADIATOR 555-2PK/22 800MM | DKK | 1.122,50 |
| 324652327 | RIO RADIATOR 555-2PK/22 900MM | DKK | 1.270,00 |
| 324652330 | RIO RADIATOR 555-2PK/22 1000MM | DKK | 1.380,00 |
| 324652333 | RIO RADIATOR 555-2PK/22 1100MM | DKK | 1.563,75 |
| 324652336 | RIO RADIATOR 555-2PK/22 1200MM | DKK | 1.640,00 |
| 324652342 | RIO RADIATOR 555-2PK/22 1400MM | DKK | 1.952,50 |
| 324652345 | RIO RADIATOR 555-2PK/22 1500MM | DKK | 2.130,00 |
| 324652348 | RIO RADIATOR 555-2PK/22 1600MM | DKK | 2.226,25 |
| 324652354 | RIO RADIATOR 555-2PK/22 1800MM | DKK | 2.925,00 |
| 324652360 | RIO RADIATOR 555-2PK/22 2000MM | DKK | 2.802,50 |
| 324652375 | RIO RADIATOR 555-2PK/22 2500MM | DKK | 3.565,00 |
| 324652390 | RIO RADIATOR 555-2PK/22 3000MM | DKK | 4.171,25 |



Tre-lags

| | | | |
|-----------|--------------------------------|-----|----------|
| 324653324 | RIO RADIATOR 555-3PK/33 800MM | DKK | 2.093,75 |
| 324653330 | RIO RADIATOR 555-3PK/33 1000MM | DKK | 3.637,50 |
| 324653336 | RIO RADIATOR 555-3PK/33 1200MM | DKK | 2.528,50 |
| 324653390 | RIO RADIATOR 555-3PK/33 3000MM | DKK | 7.965,00 |



To-lags

| | | | |
|-----------|--------------------------------|-----|----------|
| 324662312 | RIO RADIATOR 655-2PK/22 400MM | DKK | 896,25 |
| 324662315 | RIO RADIATOR 655-2PK/22 500MM | DKK | 896,25 |
| 324662318 | RIO RADIATOR 655-2PK/22 600MM | DKK | 1.047,50 |
| 324662321 | RIO RADIATOR 655-2PK/22 700MM | DKK | 1.261,25 |
| 324662324 | RIO RADIATOR 655-2PK/22 800MM | DKK | 1.340,00 |
| 324662327 | RIO RADIATOR 655-2PK/22 900MM | DKK | 1.566,25 |
| 324662330 | RIO RADIATOR 655-2PK/22 1000MM | DKK | 1.644,50 |
| 324662333 | RIO RADIATOR 655-2PK/22 1100MM | DKK | 1.825,00 |
| 324662336 | RIO RADIATOR 655-2PK/22 1200MM | DKK | 1.947,50 |
| 324662342 | RIO RADIATOR 655-2PK/22 1400MM | DKK | 2.326,25 |
| 324662345 | RIO RADIATOR 655-2PK/22 1500MM | DKK | 2.488,75 |
| 324662348 | RIO RADIATOR 655-2PK/22 1600MM | DKK | 2.682,50 |
| 324662354 | RIO RADIATOR 655-2PK/22 1800MM | DKK | 3.015,00 |
| 324662360 | RIO RADIATOR 655-2PK/22 2000MM | DKK | 3.347,50 |
| 324662375 | RIO RADIATOR 655-2PK/22 2500MM | DKK | 4.132,50 |
| 324662390 | RIO RADIATOR 655-2PK/22 3000MM | DKK | 8.342,50 |



Tre-lags

| | | | |
|-----------|--------------------------------|-----|----------|
| 324663324 | RIO RADIATOR 655-3PK/33 800MM | DKK | 1.957,50 |
| 324663330 | RIO RADIATOR 655-3PK/33 1000MM | DKK | 2.383,75 |
| 324663336 | RIO RADIATOR 655-3PK/33 1200MM | DKK | 2.833,75 |
| 324663345 | RIO RADIATOR 655-3PK/33 1500MM | DKK | 3.352,50 |



Et-lags

| | | | |
|-----------|--------------------------------|-----|--------|
| 324661312 | RIO RADIATOR 655-1PK/11 400MM | DKK | 467,50 |
| 324661315 | RIO RADIATOR 655-1PK/11 500MM | DKK | 468,75 |
| 324661318 | RIO RADIATOR 655-1PK/11 600MM | DKK | 528,75 |
| 324661324 | RIO RADIATOR 655-1PK/11 800MM | DKK | 656,25 |
| 324661330 | RIO RADIATOR 655-1PK/11 1000MM | DKK | 797,50 |
| 324661336 | RIO RADIATOR 655-1PK/11 1200MM | DKK | 986,25 |



Et-lags fortsat...

| | | | |
|-----------|-------------------------------|-----|----------|
| 324691312 | RIO RADIATOR 955-1PK/11 400MM | DKK | 1.045,50 |
| 324691315 | RIO RADIATOR 955-1PK/11 500MM | DKK | 1.045,50 |
| 324691318 | RIO RADIATOR 955-1PK/11 600MM | DKK | 1.172,50 |
| 324691324 | RIO RADIATOR 955-1PK/11 800MM | DKK | 1.563,75 |



To-lags

| | | | |
|-----------|--------------------------------|-----|----------|
| 324692312 | RIO RADIATOR 955-2PK/22 400MM | DKK | 1.191,25 |
| 324692315 | RIO RADIATOR 955-2PK/22 500MM | DKK | 1.191,25 |
| 324692318 | RIO RADIATOR 955-2PK/22 600MM | DKK | 1.426,25 |
| 324692321 | RIO RADIATOR 955-2PK/22 700MM | DKK | 2.905,00 |
| 324692324 | RIO RADIATOR 955-2PK/22 800MM | DKK | 1.881,25 |
| 324692330 | RIO RADIATOR 955-2PK/22 1000MM | DKK | 2.348,75 |



Højde 300

| | | | |
|-----------|--------------------------------|-----|----------|
| 320132040 | HEIZRAD INTEGRERET 22 300X800 | DKK | 848,00 |
| 320132100 | HEIZRAD INTEGRERET 22 300X1000 | DKK | 956,75 |
| 320132120 | HEIZRAD INTEGRERET 22 300X1200 | DKK | 1.171,00 |
| 320132140 | HEIZRAD INTEGRERET 22 300X1400 | DKK | 1.374,25 |
| 320132150 | HEIZRAD INTEGRERET 22 300X1500 | DKK | 1.410,25 |
| 320132160 | HEIZRAD INTEGRERET 22 300X1600 | DKK | 1.529,75 |
| 320132180 | HEIZRAD INTEGRERET 22 300X1800 | DKK | 1.637,50 |
| 320132200 | HEIZRAD INTEGRERET 22 300X2000 | DKK | 1.769,00 |
| 320132250 | HEIZRAD INTEGRERET 22 300X2500 | DKK | 2.127,75 |
| 320132300 | HEIZRAD INTEGRERET 22 300X3000 | DKK | 2.691,00 |



Højde 400

| | | | |
|-----------|--------------------------------|-----|----------|
| 320142080 | HEIZRAD INTEGRERET 22 400X800 | DKK | 884,00 |
| 320142100 | HEIZRAD INTEGRERET 22 400X1000 | DKK | 1.025,00 |
| 320142120 | HEIZRAD INTEGRERET 22 400X1200 | DKK | 1.195,00 |
| 320142140 | HEIZRAD INTEGRERET 22 400X1400 | DKK | 1.398,25 |
| 320142150 | HEIZRAD INTEGRERET 22 400X1500 | DKK | 1.434,00 |
| 320142160 | HEIZRAD INTEGRERET 22 400X1600 | DKK | 1.553,75 |
| 320142180 | HEIZRAD INTEGRERET 22 400X1800 | DKK | 1.661,25 |
| 320142200 | HEIZRAD INTEGRERET 22 400X2000 | DKK | 1.793,00 |
| 320142250 | HEIZRAD INTEGRERET 22 400X2500 | DKK | 2.119,50 |
| 320142300 | HEIZRAD INTEGRERET 22 400X3000 | DKK | 2.715,00 |



Højde 500 1-lag

| | | | |
|-----------|--------------------------------|-----|----------|
| 320151050 | HEIZRAD INTEGRERET 11 500X500 | DKK | 549,00 |
| 320151060 | HEIZRAD INTEGRERET 11 500X600 | DKK | 604,00 |
| 320151080 | HEIZRAD INTEGRERET 11 500X800 | DKK | 644,75 |
| 320151100 | HEIZRAD INTEGRERET 11 500X1000 | DKK | 672,25 |
| 320151120 | HEIZRAD INTEGRERET 11 500X1200 | DKK | 813,25 |
| 320151150 | HEIZRAD INTEGRERET 11 500X1500 | DKK | 955,75 |
| 320151200 | HEIZRAD INTEGRERET 11 500X2000 | DKK | 1.266,75 |



Højde 500 2-lag

| | | | |
|-----------|--------------------------------|-----|----------|
| 320152040 | HEIZRAD INTEGRERET 22 500X400 | DKK | 740,50 |
| 320152050 | HEIZRAD INTEGRERET 22 500X500 | DKK | 756,00 |
| 320152060 | HEIZRAD INTEGRERET 22 500X600 | DKK | 714,25 |
| 320152080 | HEIZRAD INTEGRERET 22 500X800 | DKK | 747,50 |
| 320152100 | HEIZRAD INTEGRERET 22 500X1000 | DKK | 824,25 |
| 320152120 | HEIZRAD INTEGRERET 22 500X1200 | DKK | 1.302,50 |
| 320152140 | HEIZRAD INTEGRERET 22 500X1400 | DKK | 1.494,00 |
| 320152150 | HEIZRAD INTEGRERET 22 500X1500 | DKK | 1.388,75 |
| 320152160 | HEIZRAD INTEGRERET 22 500X1600 | DKK | 1.448,50 |
| 320152180 | HEIZRAD INTEGRERET 22 500X1800 | DKK | 1.825,25 |
| 320152200 | HEIZRAD INTEGRERET 22 500X2000 | DKK | 2.099,00 |
| 320152250 | HEIZRAD INTEGRERET 22 500X2500 | DKK | 2.471,00 |
| 320152300 | HEIZRAD INTEGRERET 22 500X3000 | DKK | 2.688,75 |



Højde 500 3-lag

| | | | |
|-----------|--------------------------------|-----|----------|
| 320153100 | HEIZRAD INTEGRERET 33 500X1000 | DKK | 1.588,50 |
| 320153120 | HEIZRAD INTEGRERET 33 500X1200 | DKK | 1.870,75 |



Højde 600 1-lag

| | | | |
|-----------|--------------------------------|-----|----------|
| 320161050 | HEIZRAD INTEGRERET 11 600X500 | DKK | 680,50 |
| 320161060 | HEIZRAD INTEGRERET 11 600X600 | DKK | 716,50 |
| 320161080 | HEIZRAD INTEGRERET 11 600X800 | DKK | 652,00 |
| 320161100 | HEIZRAD INTEGRERET 11 600X1000 | DKK | 681,75 |
| 320161120 | HEIZRAD INTEGRERET 11 600X1200 | DKK | 739,25 |
| 320161150 | HEIZRAD INTEGRERET 11 600X1500 | DKK | 1.075,25 |
| 320161200 | HEIZRAD INTEGRERET 11 600X2000 | DKK | 1.369,50 |



Højde 600 2-lag

| | | | |
|-----------|--------------------------------|-----|----------|
| 320162040 | HEIZRAD INTEGRERET 22 600X400 | DKK | 786,00 |
| 320162050 | HEIZRAD INTEGRERET 22 600X500 | DKK | 818,25 |
| 320162060 | HEIZRAD INTEGRERET 22 600X600 | DKK | 1.015,50 |
| 320162080 | HEIZRAD INTEGRERET 22 600X800 | DKK | 747,50 |
| 320162100 | HEIZRAD INTEGRERET 22 600X1000 | DKK | 855,00 |
| 320162120 | HEIZRAD INTEGRERET 22 600X1200 | DKK | 980,75 |
| 320162140 | HEIZRAD INTEGRERET 22 600X1400 | DKK | 1.794,00 |
| 320162150 | HEIZRAD INTEGRERET 22 600X1500 | DKK | 1.757,00 |
| 320162160 | HEIZRAD INTEGRERET 22 600X1600 | DKK | 1.880,25 |
| 320162180 | HEIZRAD INTEGRERET 22 600X1800 | DKK | 2.032,00 |
| 320162200 | HEIZRAD INTEGRERET 22 600X2000 | DKK | 2.271,25 |
| 320162250 | HEIZRAD INTEGRERET 22 600X2500 | DKK | 2.748,50 |
| 320162300 | HEIZRAD INTEGRERET 22 600X3000 | DKK | 3.211,25 |



Højde 600 3-lag

| | | | |
|-----------|--------------------------------|-----|----------|
| 320163100 | HEIZRAD INTEGRERET 33 600X1000 | DKK | 1.912,50 |
| 320163120 | HEIZRAD INTEGRERET 33 600X1200 | DKK | 2.028,50 |



Højde 900

| | | | |
|-----------|--------------------------------|-----|----------|
| 320192040 | HEIZRAD INTEGRERET 22 900X400 | DKK | 764,25 |
| 320192050 | HEIZRAD INTEGRERET 22 900X500 | DKK | 1.007,25 |
| 320192060 | HEIZRAD INTEGRERET 22 900X600 | DKK | 1.174,50 |
| 320192080 | HEIZRAD INTEGRERET 22 900X800 | DKK | 1.458,00 |
| 320192100 | HEIZRAD INTEGRERET 22 900X1000 | DKK | 1.413,75 |



Luftradiator

| | | | |
|-----------|------------------------------|-----|----------|
| 354330068 | FANCOIL LUFTRADIATOR 5,9 KW | DKK | 2.475,00 |
| 354330136 | FANCOIL LUFTRADIATOR 11,6 KW | DKK | 3.100,00 |